

panel cut out

□22

30

32.1

Ø3.4

30

5.3

30

42.8

Ø24.1

PG11

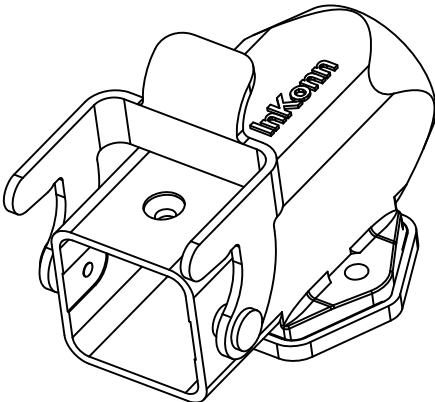
□24.1



52.2

30.8

57.6

gasket(FPM)



 InKonn (Suzhou) Electric Technology Co.,Ltd.	 All Dimensions in mm Original Size DIN A4	Date 2020-01-23	Drawing No. TC8899977	Rev. A00	Scale 1:1
	Type Name HMA3-SMO-SL/S-M20	Part No. 10 02 003 0611	Created by Shuxu Huang	Checked by Yiyi Luo	Page 1/1